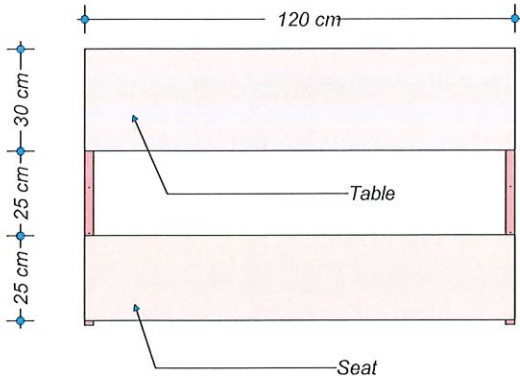
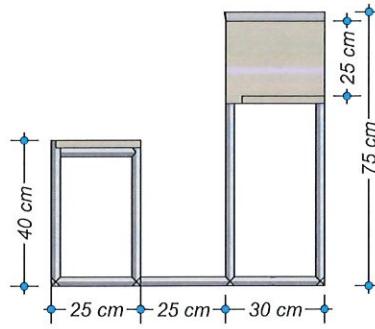


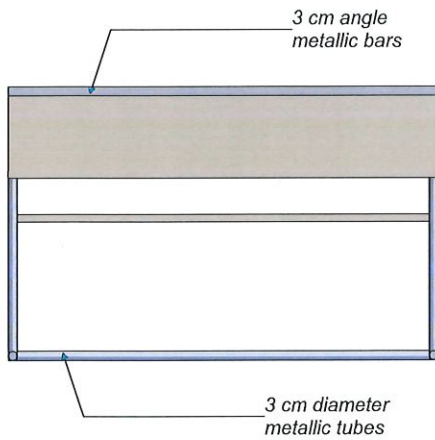
# Annex-A



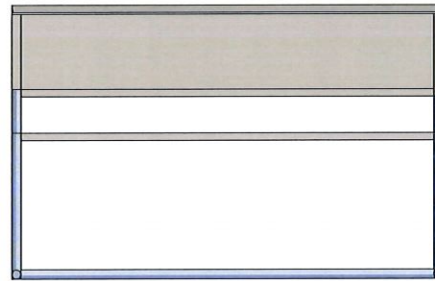
**Floor plan**



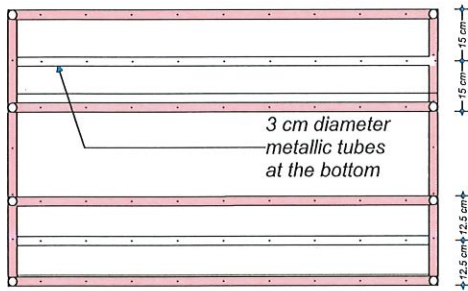
**Side elevation**



**Front elevation**



**Back elevation**



**Metallic structure plan**



**Perspective**



Drawn by  
Technical unit - Gedaref

Date  
February 2023

Drawing Name  
**Layouts**

Checked by  
Education unit - Gedaref

Date  
February 2023

Drawing Status  
**Final**

**Desks for students at Taya and Basinga schools**

Drawing Scale  
**1:20 (A4)**

Layout ID  
**#LayID**

Revision  
**#RevID**

ABW